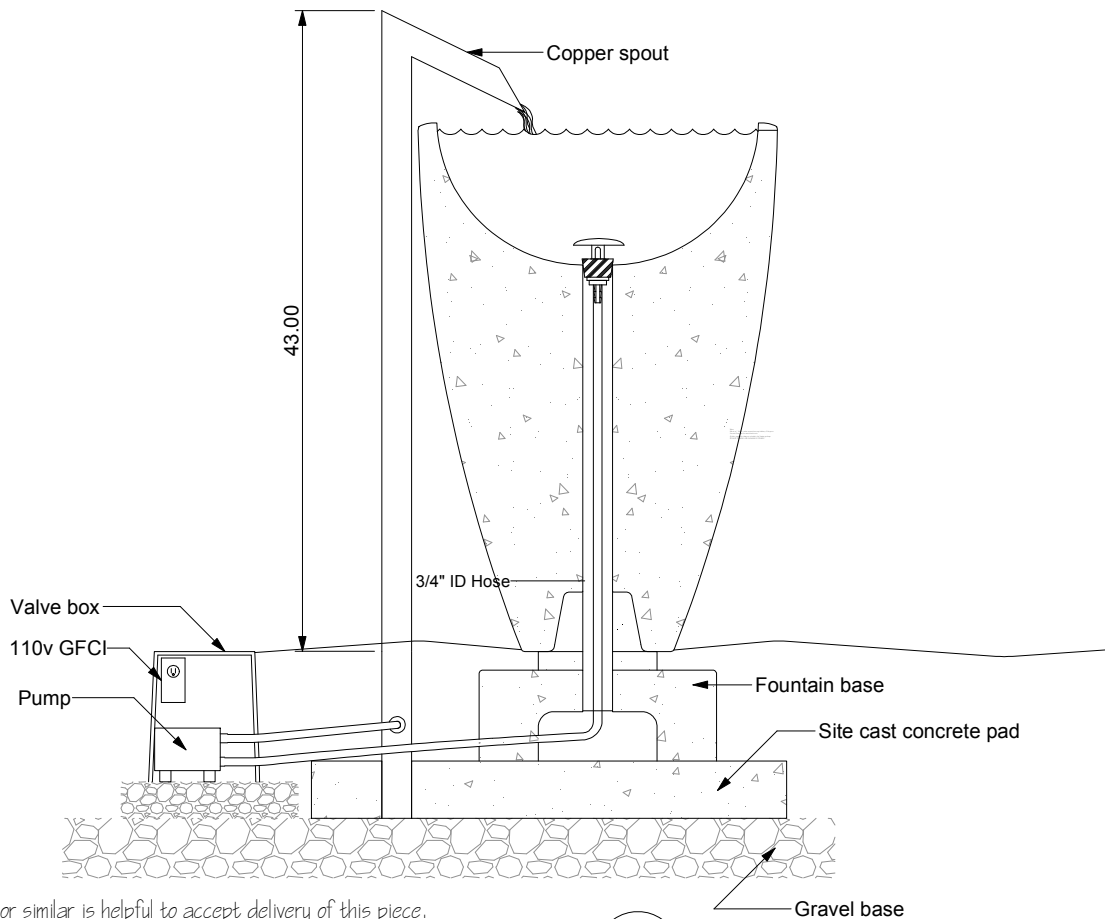
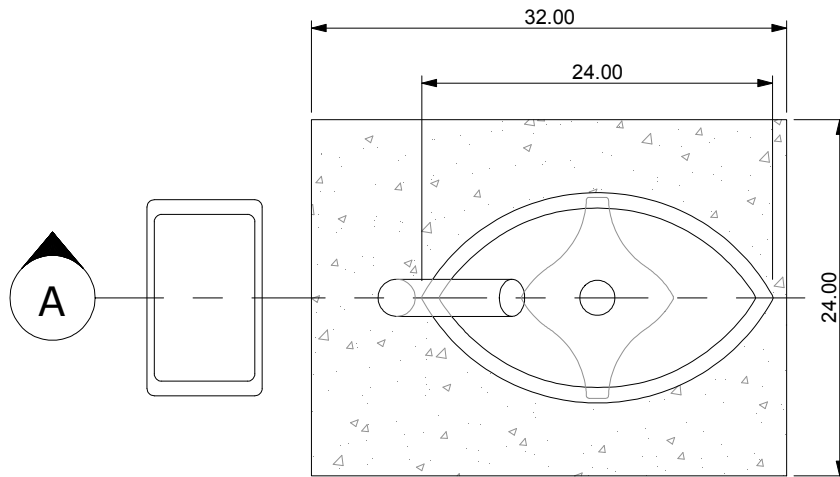


FLOWINGWater
S E R I E S

Lura
(36" Copper Spout)



Notes:

- Bobcat w/ forks or similar is helpful to accept delivery of this piece.
- Otherwise, please request liftgate service at the delivery site.
- Concrete pad must be constructed on site.
- All other components shown are included in the fountain package.
- DETAILED DRAWINGS ARE AVAILABLE BY REQUEST.