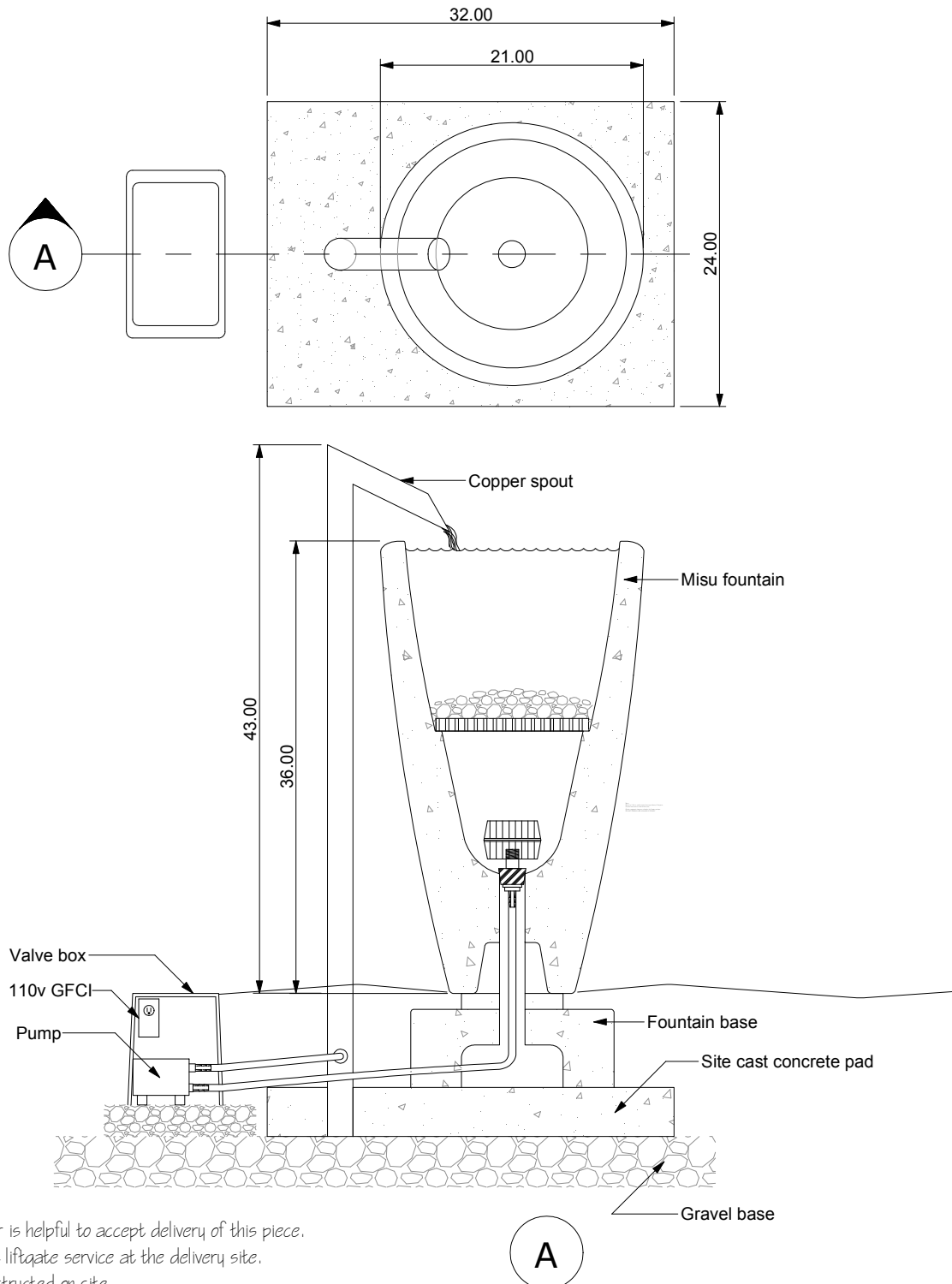


FLOWINGWater
S E R I E S

Misu (Copper Spout)



Notes:
 Bobcat w/ forks or similar is helpful to accept delivery of this piece.
 Otherwise, please request liftgate service at the delivery site.
 Concrete pad must be constructed on site.
 All other components shown are included in the fountain package.
 DETAILED DRAWINGS ARE AVAILABLE BY REQUEST.